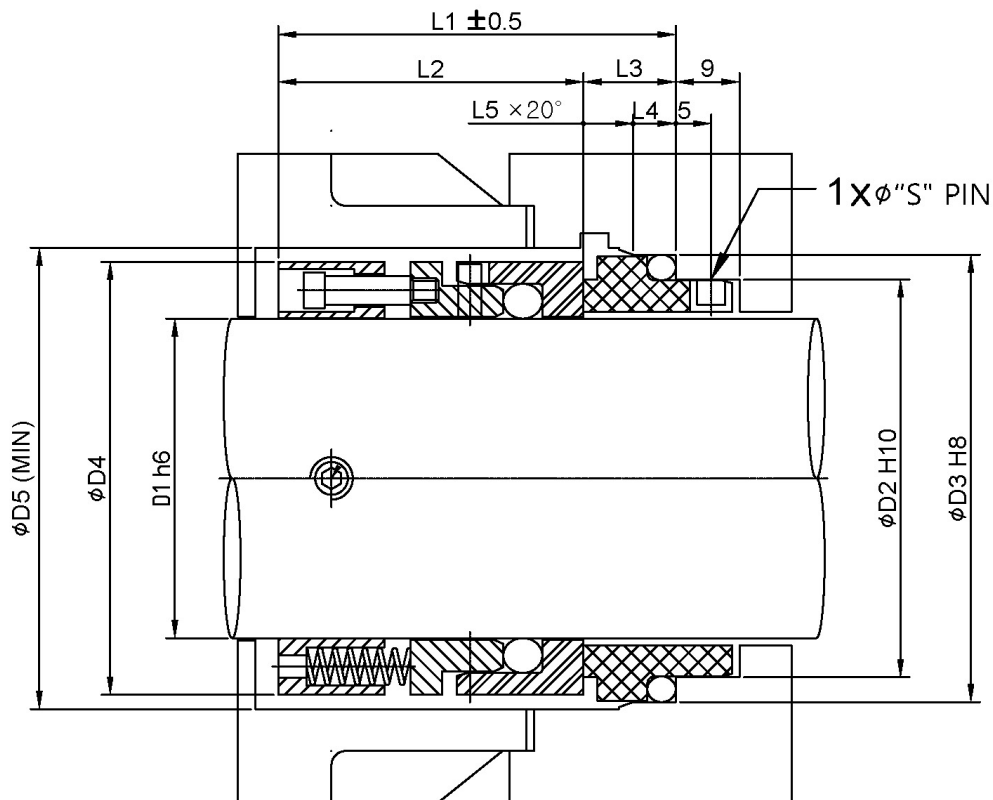


HMP100 PUMP MECHANICAL SEAL DIMENSION TABLE



D1(SIZE)	D2	D3	D4	D5	L1	L2	L3	L4	L5	S
M018	27.0	33	32	34	44.5	35.0	9.5	5.0	2.0	3.0
M020	29.0	35	34	36						
M022	31.0	37	36	38						
M024	33.0	39	38	40						
M025	34.0	40	39	41	45.0	35.0	10.0	2.0	3.0	
M028	37.0	43	42	44						
M030	39.0	45	44	46						
M032	42.0	48	46	48						
M033	42.0	48	47	49	48.0	35.0	13.0	2.0	4.0	
M035	44.0	50	49	51						
M038	49.0	56	54	58						
M040	51.0	58	56	60						
M043	54.0	61	59	63	56.0	43.0	15.5	6.0	2.5	
M045	56.0	63	61	65						
M048	59.0	66	64	68						
M050	62.0	70	66	70						
M053	65.0	73	69	73	58.5	43.0	16.0	3.0	4.0	
M055	67.0	75	71	75						
M058	70.0	78	78	83						
M060	72.0	80	80	85						
M063	75.0	83	83	88	59.0	43.0	19.0	7.0	3.0	
M065	77.0	85	85	90						
M068	81.0	90	88	93						
M070	83.0	92	90	95						
M075	88.0	97	95	104	62.0	44.0	7.0	3.0	4.0	
M080	95.0	105	100	109						
M085	100.0	110	105	114						
M090	105.0	115	110	119						
M095	110.0	120	115	124	63.0	44.0	19.0	3.0	4.0	
M100	115.0	125	120	129						
M110	126.5	139	130	139						
M120	141.5	154	145	150						
M130	151.5	164	155	160	66.0	47.0	9.0	3.0	4.0	
M140	161.5	174	165	175						
M150	171.5	184	175	190						